

**Basic Instructions only!**  
 For more detailed product information, refer to the  
**SportCart Assembly Instructions 240B123.**

**⚠ CAUTION**

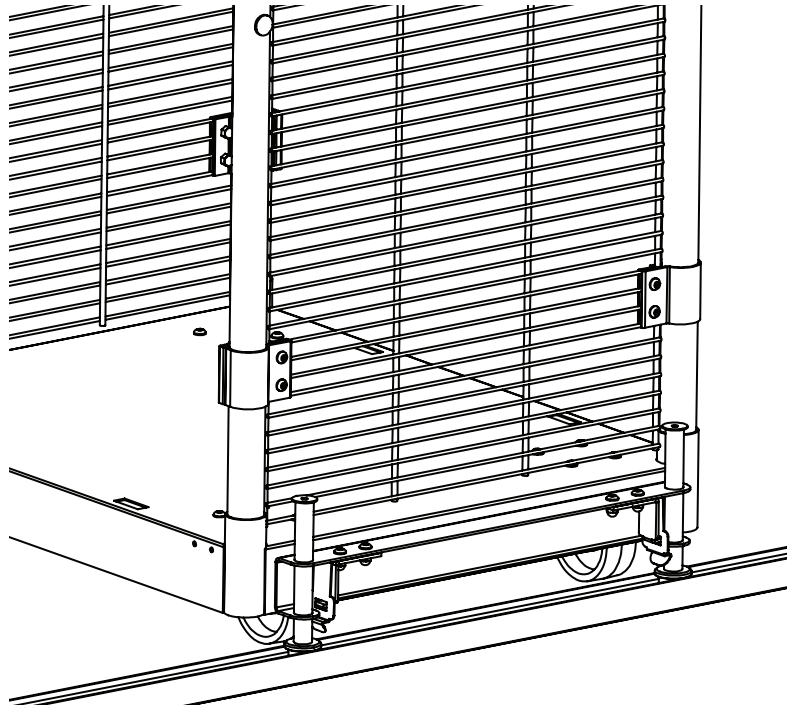
*Make sure anyone assembling, installing or using this product has read and understands these instructions.*

**⚠ CAUTION**

*Failure to comply with Warnings and Cautions in this document or on the equipment can result in damage to property or serious injury.*

**⚠ CAUTION**

*To help avoid damage and injury, two people are recommended for setup.*



## Contents

|  |   |
|--|---|
| Required Tools . . . . . 2                   | Floor Track Installation . . . . . 4    |
| Supplied Hardware and Parts List . . . . . 2 | Attach Floor Track To Floor . . . . . 5 |
| Track Bracket Installation . . . . . 3       | Place Cart Onto Floor Track . . . . . 7 |
|  | Replacement Parts . . . . . 8           |



Visit the GearBoss SportCart web page at [gearboss.com](http://gearboss.com) for more information.

**Note:** Please read and understand these instructions before proceeding.  
**Note:** If you need additional information, contact Wenger Corporation using the information below.

## Required Tools

---

- Drill with 3/8" drill bit  
(for SportCart™ without pre-drilled holes)
- 7/32" Allen wrench
- 9/16" Open ended wrench

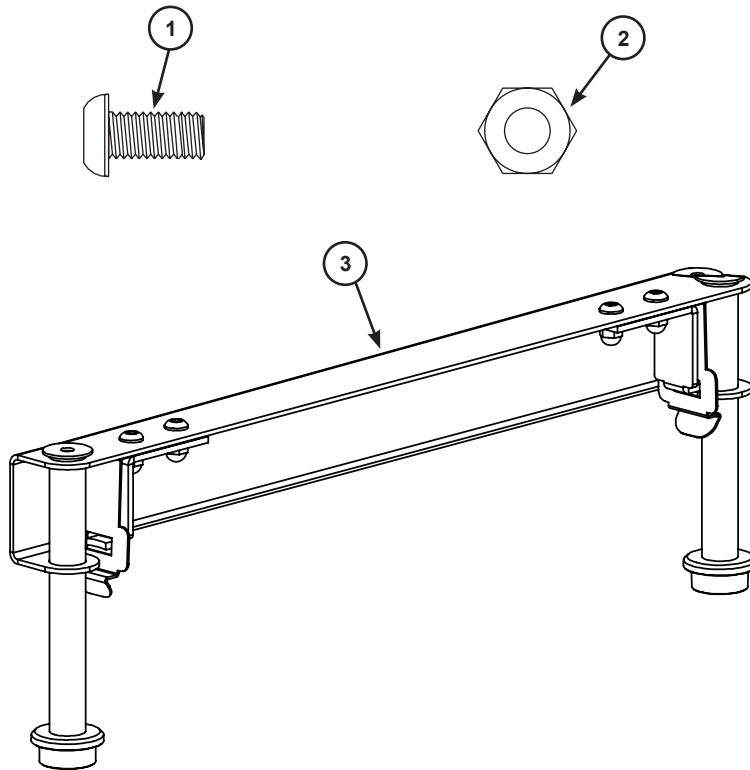
## Supplied Hardware and Parts List

---

| Item | Qty. | Description                |
|------|------|----------------------------|
| 1    | 4    | 3/8-16 x 3/4" Socket Screw |
| 2    | 4    | 3/8-16 Lock Nut            |
| 3    | 1    | Track Bracket              |

### NOTICE

*The track and cart are not included.*



# Track Bracket Installation

1. Using a pair of locking pliers or two c-clamps, clamp the track follower bracket to the SportCart chassis, on the end opposite the handles. The track bracket should be centered side-to-side, and positioned vertically as shown in Detail A.

## NOTICE

*For convenience, the SportCart may be tipped on its side.*

## CAUTION

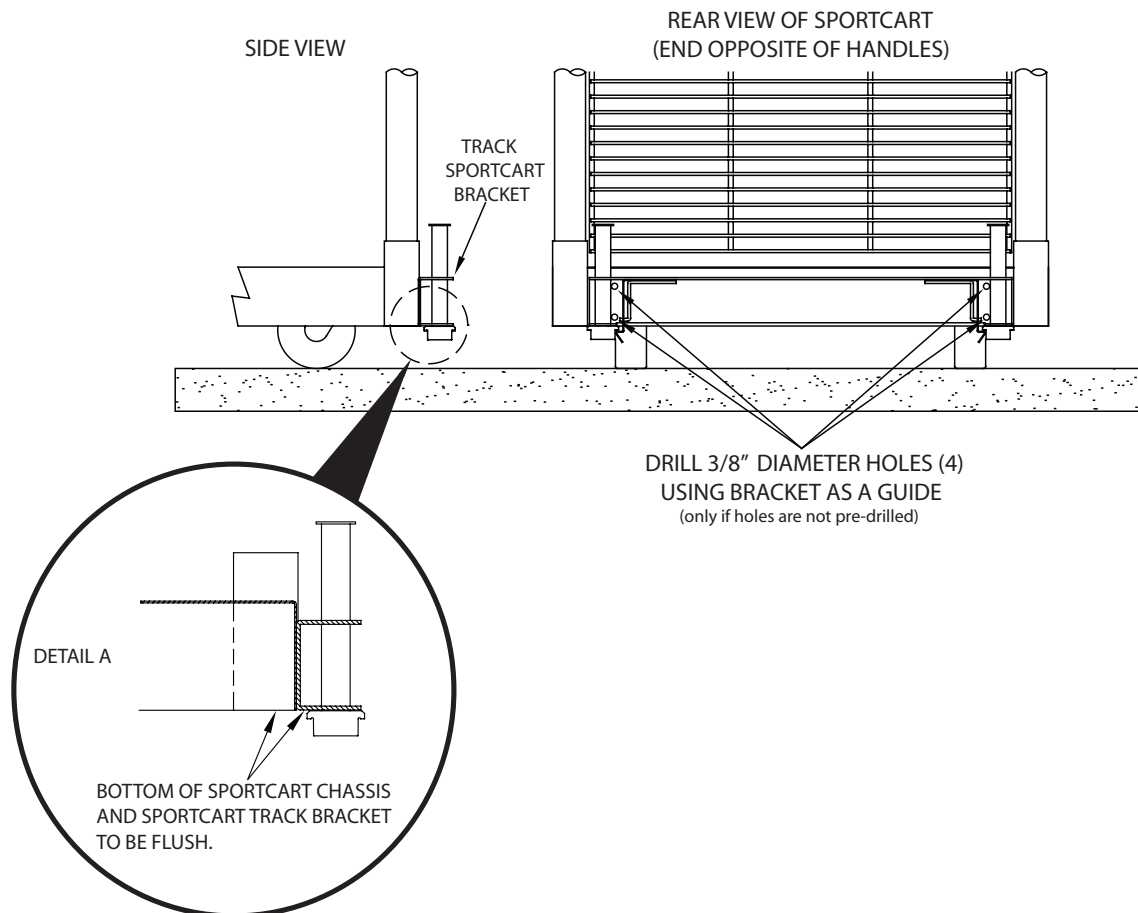
*Use two people to tip the SportCart on its side.*

2. Using the holes in the track follower bracket as a guide, drill four 3/8" diameter holes in the SportCart chassis.

## NOTICE

*Only drill holes if they are not present in the chassis.  
Use existing holes if they are present.*

3. Install the bolts and nuts and tighten securely.

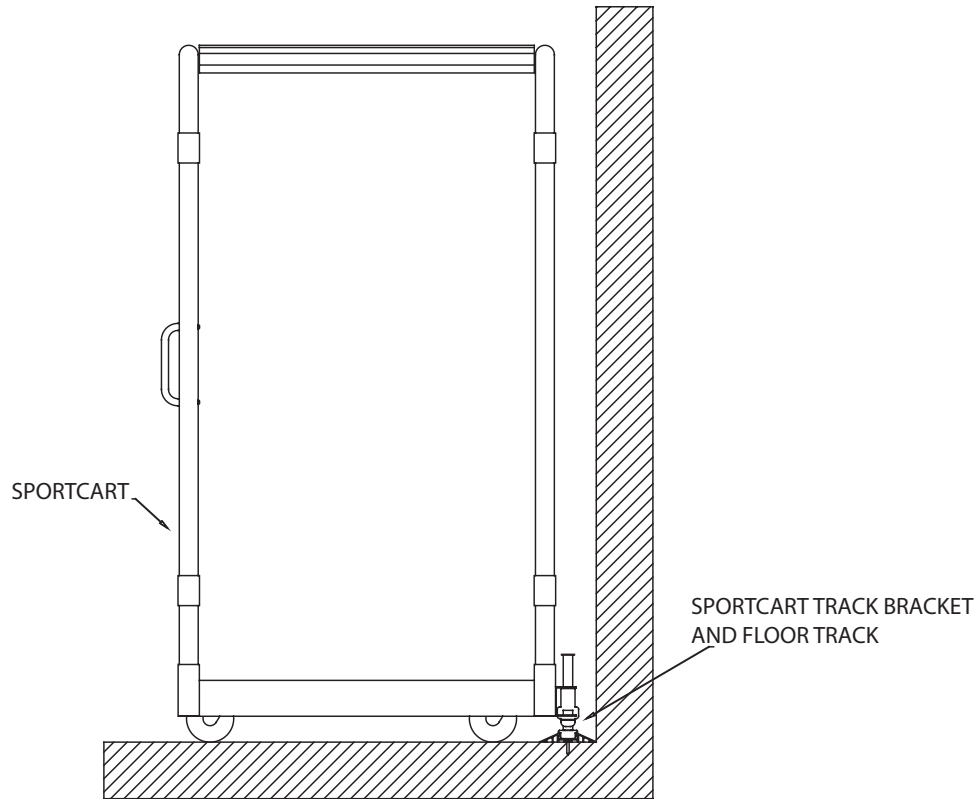


## ***Floor Track Installation***

---

SportCarts are usually stored next to a wall. For the best fit to the wall, the floor track should be installed as close to the wall as possible.

If the SportCart will be placed in the middle of a room, it is recommended that they be fitted with the track bracket first. Then use the SportCart to determine the correct position for the floor track.



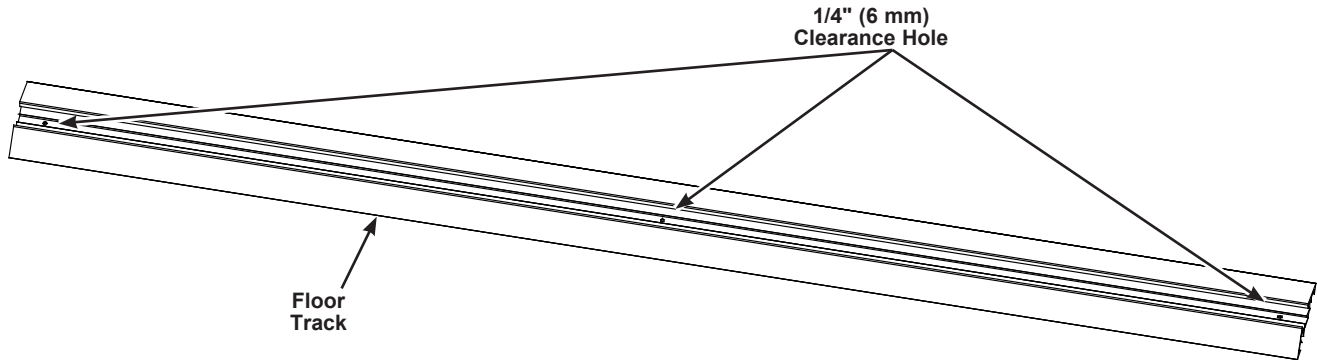
TYPICAL INSTALLATION  
(CLOSE TO WALL)

## ***Floor Track Installation (continued)***

---

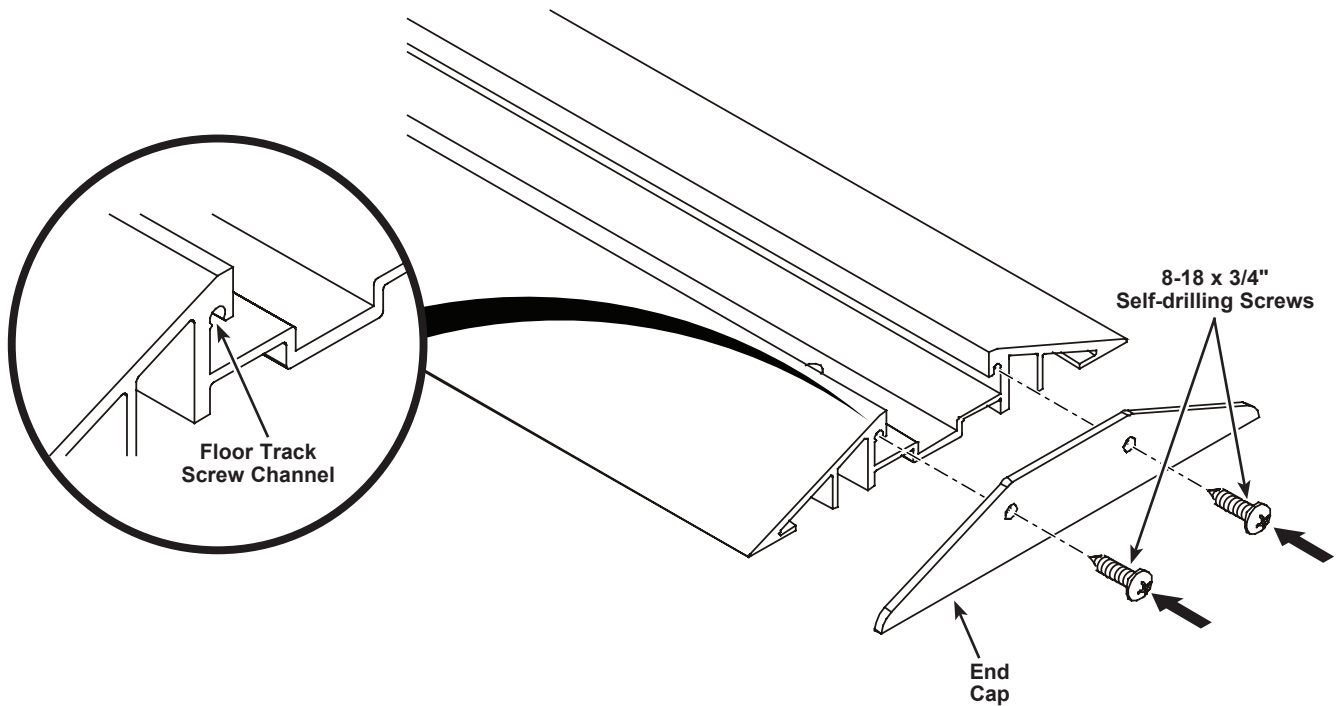
### ***Attach Floor Track to Floor***

The floor track is attached to the floor surface by anchoring it with the appropriate fasteners at the three 1/4" (6 mm) clearance holes in the floor track. The anchors supplied with the floor track are for concrete floors. Different anchors may be required for other materials.



To attach the floor track, do as follows.

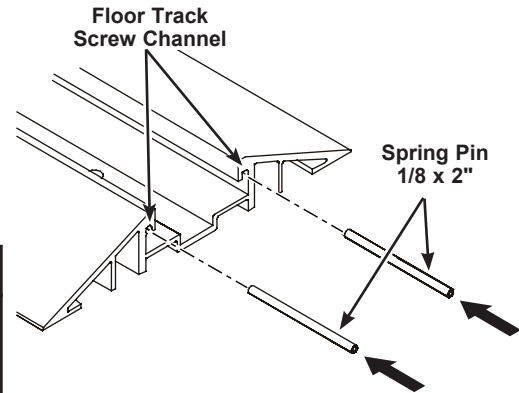
1. If a Floor Track end will be butted against the wall, discard the end cap and self-drilling screws.
2. If the end of the floor track will be exposed, assemble the end cap to the exposed end of the floor track.
  - a. Use a drill and a phillips drive bit and attach the end cap with two 8-18 x 3/4" self-drilling screws to the two floor track screw channels as shown at the right.
3. Mark the location of the three holes with a pencil.
4. Using the appropriate fasteners (concrete anchors are supplied), anchor the floor track at the three marks.



## Floor Track Installation (continued)

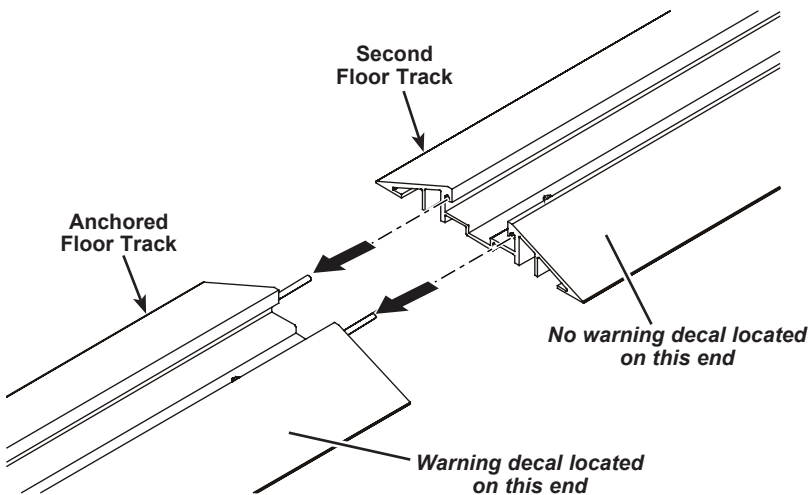
### Attach Floor Track To Floor (continued)

5. Anchor the second Floor Track as follows.
  - a. Using a mallet, drive two spring pins half way into the two floor track screw channels on the end of the anchored floor track.
  - b. Place the second floor track onto the floor and align the floor track screw channels to the spring pins in the anchored floor track.



### NOTICE

**Each floor track has a set of warning decals on one end. Always place the floor track end with a warning decal next to the floor track end without a warning decal.**



- c. Use a mallet and a block of wood and tap the second floor track onto the anchored floor track spring pins.

### NOTICE

**Take care to not bend the spring pins when driving the track onto the pins.**

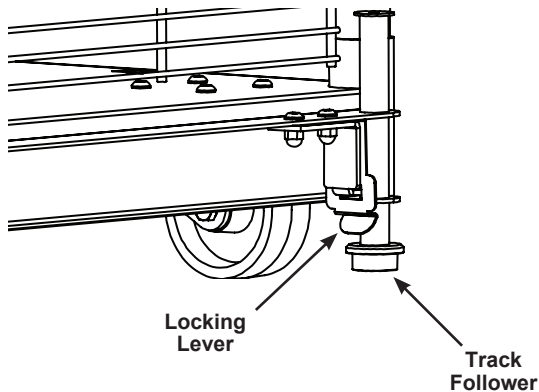
- d. Anchor the second floor track to the floor as done in previous steps.
6. Anchor additional floor tracks as required. If the last floor track to be anchored is too long to fit in the room, use a circular saw with an all-purpose blade to cut the floor track to the correct length. Discard the unused piece of track and use a file to remove any burrs from the cut end of the floor track.

## Floor Track Installation (continued)

---

### Place Cart Onto Floor Track

1. Move the SportCart to the track.
  - a. Place the track followers into the track follower channel.
  - b. To remove a SportCart from the track, retract the track followers by pulling each one upward until it locks in place.
  - c. Release the track follower by pulling the locking lever away from the follower.



## Moving Carts

---

### **⚠ CAUTION**

*When moving the SportCart, never allow people to ride on it.*

### **⚠ CAUTION**

*Never move the SportCart faster than a normal walking speed.*

### **⚠ CAUTION**

*Do not place feet in the SportCart pathway, pinch points can occur.*

### **⚠ CAUTION**

*Always move the SportCart slowly up or down an inclined ramp. Use two people to move the SportCart up or down a steep ramp or over rough surfaces.*

### **⚠ CAUTION**

*Always move the SportCart slowly through narrow doorways. Pinch points can occur between SportCart and doorways.*

# Replacement Parts

| Item | Qty. | Description                 |
|------|------|-----------------------------|
| 1    | 8    | 3/8-16 x 3/4" Socket Screw  |
| 2    | 2    | Plunger                     |
| 3    | 1    | Track Bracket               |
| 4    | 2    | Plunger Clip                |
| 5    | 2    | Plunger Backer              |
| 6    | 4    | 3/8-16 Acorn Nut            |
| 7    | 2    | Plastic Roller              |
| 8    | 2    | 1/2-13 x 1/2" Shoulder Bolt |
| 9    | 4    | 3/8-16 Lock Nut             |

